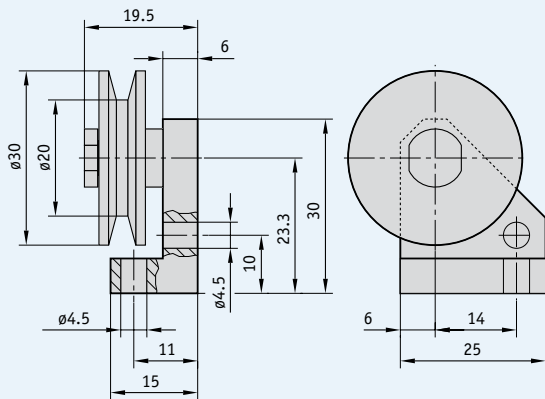


Profile

- For changing the measurement direction. Guide rollers are used when the wire-actuated encoder cannot be installed in line with the extension direction of the wire
- Several guide rollers can be combined



Mechanical data

Feature	Technical data	Additional information
Roller material	plastic	
Accommodation material	aluminum	
Weight	25 g	

Order

- **Mounting example** (see page 11)
- **Order code**

UR

Scope of delivery: Guide roller