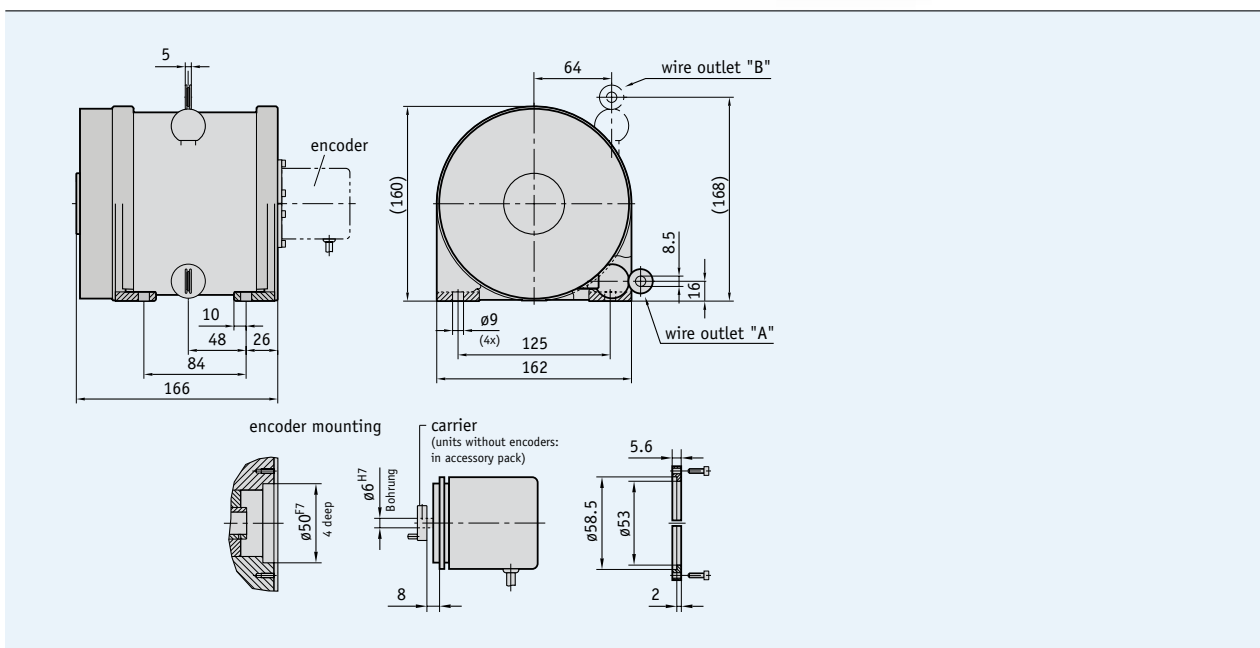


Profile

- measurement lengths max. 15000 mm
- Potentiometer, voltage or power output
- Incremental or absolute encoder
- Housing made of aluminum
- High flexibility thanks to free choice of rotary encoders with 58 mm standard flange
- High operational safety owing to forced-guided wire drum
- Various wire types



3.1



Mechanical data

Feature	Technical data	Additional information
Travel speed	max. 4 m/s	
Pull-out force required	min. 25 N, on the wire	
Drum circumference	400 mm	
Wire design	steel wire \varnothing 1 mm paraline \varnothing 1.05 mm	
Protection category	specified by the mounted encoder	
Operating temperature	-20 ... +80 °C	encoder-specific values, see also encoder technical data
Color	orange, RAL 2004	others on request
Weight	SGL135 approx. 4.4 kg	
Wire outlet	plastic	
Housing/spring housing	aluminum	

Electrical data

Rotary encoders suitable for use with SGL135 can be found in Catalog 2 RotoLine. Depending on the output signals, the following devices can be used:

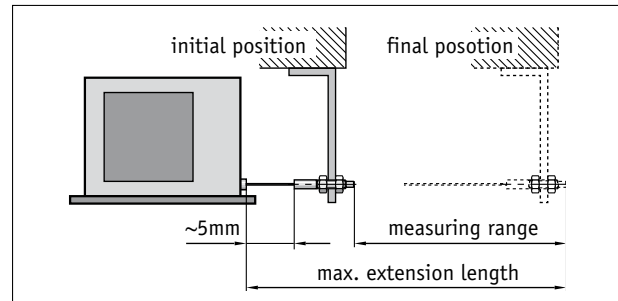


- For analog outputs such as potentiometers, current or voltage: GP03/1 and GP43 (with switching outputs)
- For incremental outputs: IV58M
- For absolute outputs: WV58M

Please see data sheets for technical specifications on these devices.

Mounting note

When you attach the wire, it should be pulled out straight in line with the wire outlet. **Recommendation:** A 5 mm wire extension is recommended before the measurement starting point. This prevents the wire snapping back to the stop on rewinding.



Symbolic representation

3.1

Order

Order table

Feature	Order data	Specifications	Additional information
Measuring range	13.5	measurement range max. 13500 mm	
	15	measurement range max. 15000 mm	
Wire design	S	stainless steel wire	
	P	paraline, non-conducting, signal color	
Wire outlet	A	horizontal	
	B	vertical	
Encoder type	SFP	many encoder types possible, see accessories	
	OG	without encoder	

Order code

SGL135 - - - -

Scope of delivery: SGL135, User information

Accessories:

Guide roller Page 38
 Electronic displays MA55, MA10/4 Catalog 6 DisplayLine
 Rotary encoders GP03/1, GP43, IV58M, WV58M Catalog 2 RotoLine

Additional information:

General information and areas of application Page 4 cont.