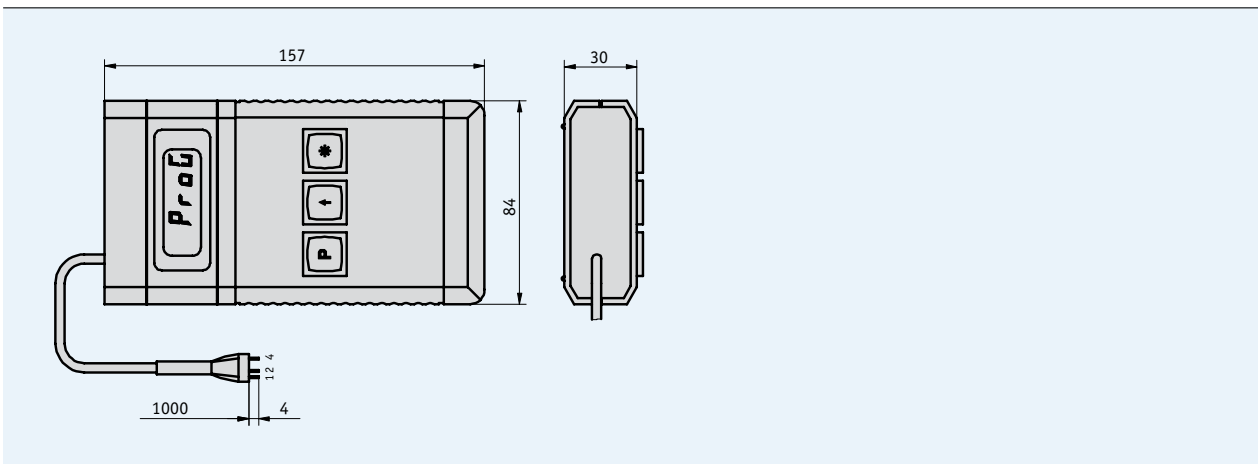


Profile

- Easy handling
- No additional accessories required
- Battery operation with 9 V block battery
- For programming MA508: LC display mode, resolution, decimal point position, counting direction, reset delay



5.5

Mechanical data

Technical data		Additional information
Supply	9 V block battery	exchangeable with standard connector, reverse-polarity protection
Display	7 segments, 4-digit	digit height 9 mm
Temperature range	0 ... +50 °C	

Pin assignment

Signal	PIN
CLK	1
DATA	2
GND	3

Order

- Order code

PTM

Scope of delivery: PTM, Benutzerinformationen