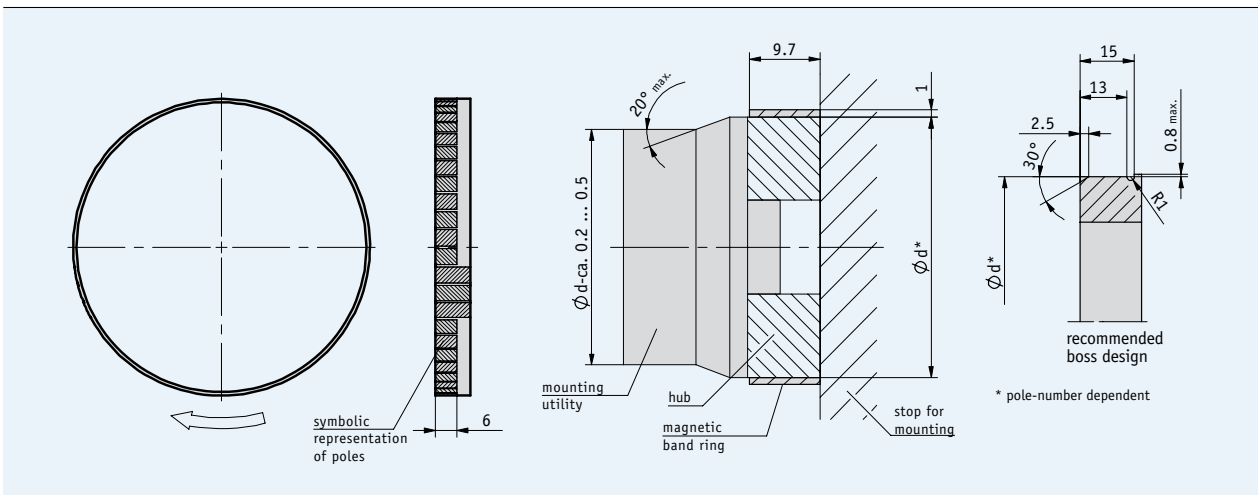


### Profile

- With reference point as an option
- Easy mounting on self-made carrier



### Mechanical data

Feature	Technical data	Additional information
Pole length	3.2 mm	
Measuring length	360°	
Band width	10 mm	
Thickness	1 mm	without cover and adhesive carrier strip
Operating temperature	-20 ... +70 °C	
Storage temperature	-20 ... +70 °C	
Humidity	100 % rh	condensation permitted
Mounting type	glued joint	recommended two-component adhesive: Uhu Plus 300 Endfest

### ■ Dimensions for magnetic band ring accommodation

Poles	36	50	100	150	180	250
Diameter d (mm)	35.7 ±0.03	49 ±0.03	100.9 ±0.03	151.8 ±0.03	182.4 ±0.03	253.7 ±0.03
Diameter with MBR320 (mm)	37.7	51	102.9	153.8	184.4	255.7
Circumference with MBR320 (mm)	118.44	160.22	323.27	483.18	579.31	803.31
Max. Speed n (rpm)	12710	9370	4640	3100	2590	1860

## Pulses/revolution

		Number of poles 36	Number of poles 50	Number of poles 100	Number of poles 150	Number of poles 180	Number of poles 250
Scaling factor	20	720	1000	2000	3000	3600	5000
of sensor	16	576	800	1600	2400	2880	4000
	10	360	500	1000	1500	1800	2500
	8	288	400	800	1200	1440	2000
	5	180	250	500	750	900	1250
	4	144	200	400	600	720	1000
	1	36	50	100	150	180	250

The table applies to the combination of MBR320 with MSK320

## Order

### Order table

Feature	Order data	Specifications	Additional information
Number of poles	36	A 36 poles 50 poles 100 poles 150 poles 180 poles 250 poles others on request	
	50		
	100		
	150		
	180		
	250		
Reference point	0	B without with	
	M		

### Order code

MBR320 -  -   
A B

**Scope of delivery:** MBR320, User information

**Additional information:**

Short Description, Technical Details  
 Product Overview

Page 140 cont.  
 Page 4 cont.