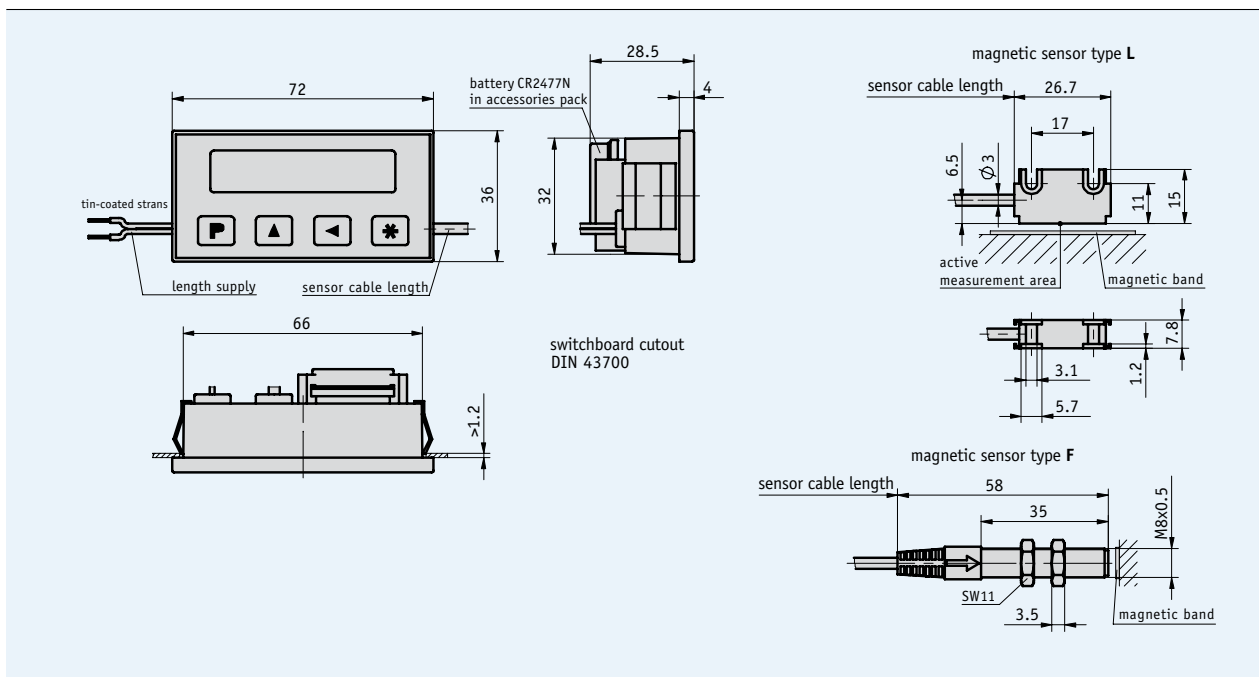


### Profile

- Display accuracy max. of 10 µm
- Repeat accuracy max. ±0.01 mm
- Lowest-power LCD
- Max. sensor/band reading distance 2 mm
- Incremental measurement and reset function
- Direct reference/offset value input



5.2

### Mechanical data

Feature	Technical data	Additional information
System accuracy	±(0.1 + 0.01 × L) mm, L in m	at T <sub>U</sub> = 20 °C
Repeat accuracy	max. ±0.01 mm	± 1 digit
Magnetic sensor	hard-wired	
Electrical connection	cable	
Display/display range	-999 999 ... 999 999	
Design	panel-mount housing with retainer	
Housing	plastic transparent	
Protection category	IP40 whole device IP54 front side IP67 sensor	
Operating temperature	0 ... +60 °C	
Storage temperature	-30 ... +80 °C	
Humidity	condensation inadmissible	
Travel speed	max. 5 m/s	

## Electrical data


Feature	Technical data	Additional information
Operating voltage	10 ... 30 V DC	at $T_U = 20\text{ °C}$
Current consumption	<8 mA with 24 V DC <25 µA with 3 V DC (backup operation)	
Resolution	10 µm	

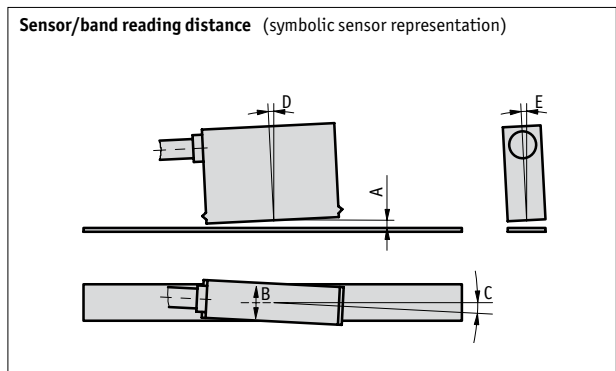
## Pin assignment

Signal	Cable color
GND	black
+UB	red

## Mounting instruction

A, Sensor/band reading distance	max. 2 mm
B, Lateral offset	max. ±2 mm
C, Misalignment	<±3°
D, Longitudinal tilt	<±1°
E, Lateral tilt	<±3°

 The connection must not be changed (e.g., different cable, cable length ...)



5.2

## Order

### Order table

Feature	Order data	Specifications	Additional information
Sensor design	L F	A rectangular round	
Sensor cable length	...	B 0.1 ... 2 m in steps of 0.1 m	
Supply cable length	1.0 2.0	C 1 m 2 m	

### Order code

MA564 - EG - A - B - C - S - SF-82597

**Scope of delivery:** MA564 with sensor, User information, Allen fastening screws M3 x 14 mm ISO 4762, lock washers M3 DIN 7980, strain relief for sensor cable, distance gage 0.8 mm, battery CR2477N

### Additional information:

Short Description, Technical Details  
Product Overview

Page 46 cont.  
Page 4 cont.