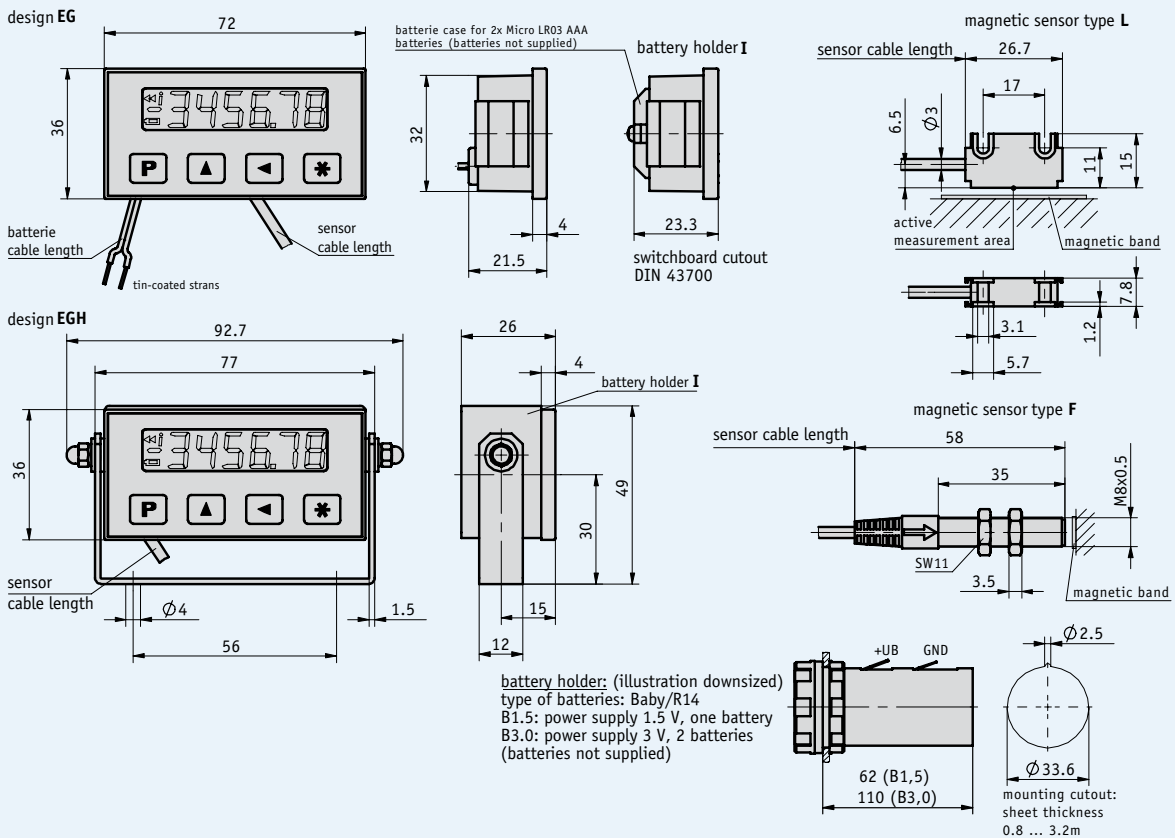


Profile

- Display accuracy max. of 10 μm
- Repeat accuracy max. ±0.01 mm
- Lowest-power LCD
- Metric or decimal-inch indication
- Incremental measurement and reset function
- Direct reference/offset value input
- Up to 3 years of service life without battery change



5.2

Mechanical data

Feature	Technical data	Additional information
System accuracy	$\pm(0.1 + 0.01 \times L)$, L in m	with magnetic band MB500 at $T_U = 20\text{ °C}$
Repeat accuracy	max. ± 0.01 mm	± 1 digit
Magnetic sensor	hard-wired	
Electrical connection	without connection strand	integrated battery holder external battery holder
Display/display range	6-digit LCD	-999 999 ... +999 999
Design	panel-mount housing panel-mount housing with shackle	
Housing	plastic (transparent)	
Protection category	IP40 whole device IP 54 front side IP67 sensor	
Operating temperature	0 ... +60 °C	
Storage temperature	-30 ... +80 °C	
Humidity	condensation inadmissible	
Travel speed	max. 5 m/s	

Electrical data


Feature	Technical data	Additional information
Operating voltage	1 ... 3.3 V DC	
Current consumption	max. 170 µA with 3 V DC max. 350 µA with 1.5 V DC	<50 µA standby <100 µA standby
Resolution	max. 10 µm	

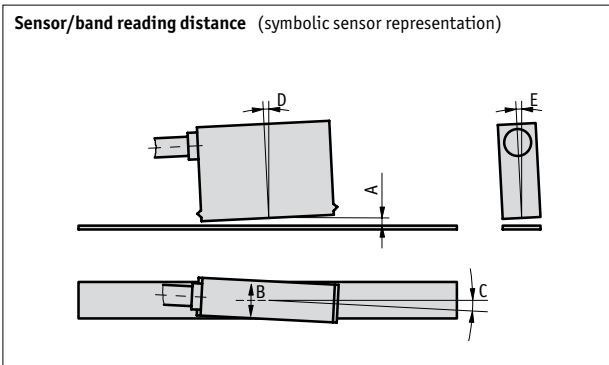
Pin assignment

Signal	Cable color
GND	black
+UB	red

Mounting instruction

A , Sensor/band reading distance	max. 2 mm
B , Lateral offset	max. ± 2 mm
C , Misalignment	$< \pm 3^\circ$
D , Longitudinal tilt	$< \pm 1^\circ$
E , Lateral tilt	$< \pm 3^\circ$

 The connection must not be changed (e.g., different cable, cable length ...)



Order

■ **Order table**

Feature	Order data	Specifications	Additional information
Housing design	EG	A panel-mount housing	
	EGH	A panel-mount housing with shackle	
Sensor design	L	B rectangle with elongated hole	
	F	B round design	
Sensor cable length	...	C 0.3 ... 2 m in steps of 0.1 m	
Battery cable length	...	D 0.2 ... 2 m in steps of 0.1 m	
Electrical connection	0A	E without external connection	integrated battery holder
	L	E connection cables led through	external battery holder
Battery holder	I	F integrated	
	B1.5	F with external battery holder 1.5 V	only with electrical connection L
	B3.0	F with external battery holder 3 V	only with electrical connection L
	0	F without battery holder	only with electrical connection L

■ **Order code**



Scope of delivery: MA504 with sensor, User information, Allen fastening screws M3 x 14 mm ISO 4762, lock washers M3 DIN 7980, strain relief for sensor cable, distance gage 0.8 mm

Additional information:

Short Description, Technical Details
Product Overview

Page 46 cont.
Page 4 cont.