

Electronic Adjusting Knob DKE01



Features:

- Rotary knob with integrated LCD display, 5 digits
- Digit height approx. 11,5 mm
- Freely programmable display values
- Can be used for length or angle measurement
- Shaft accommodation max. 20 mm
- Long battery service life

SIKO GmbH

Address
 Weihermattenweg 2
 79256 Buchenbach

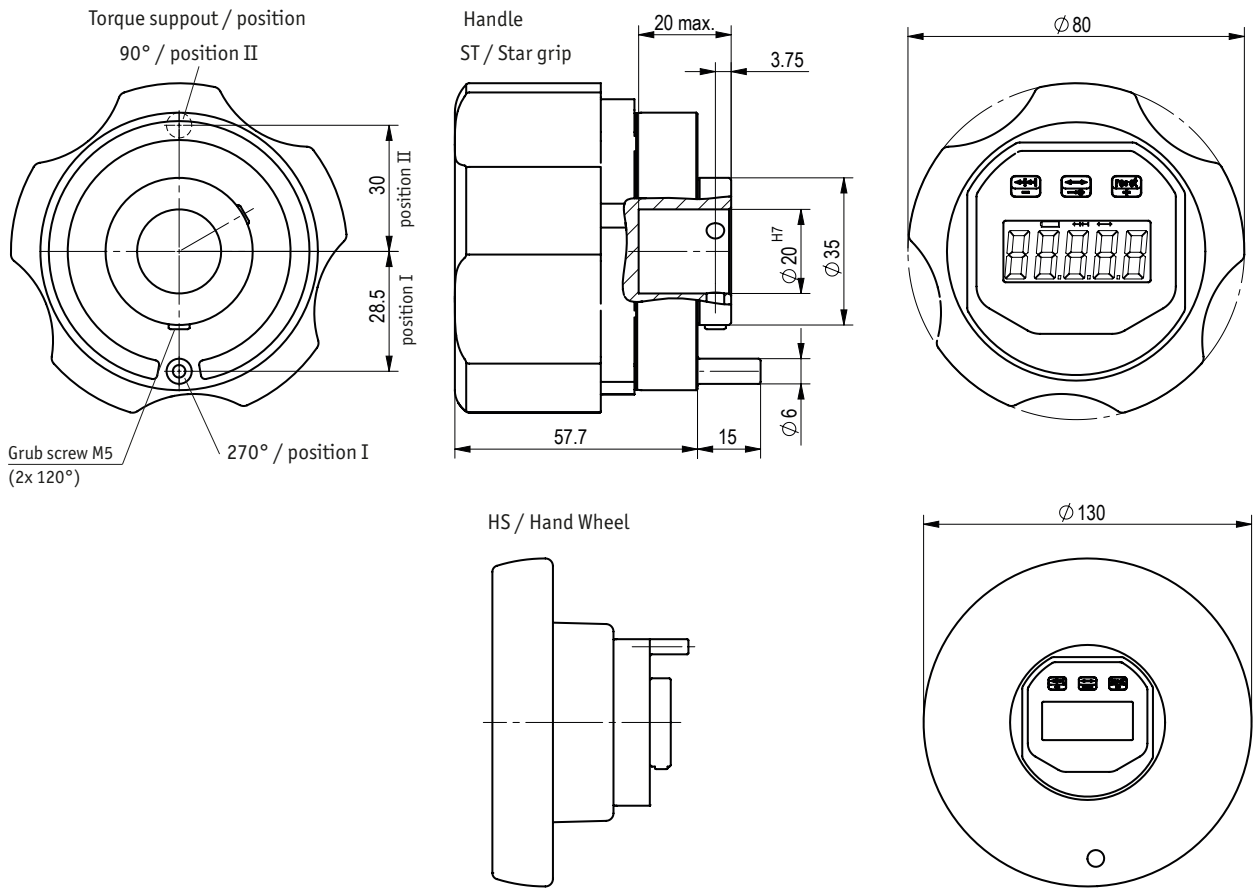
Telephone
 +49 7661 394-0
Fax
 +49 7661 394-388

eMail
 info@siko.de
Internet
 www.siko.de

Feature	Order text	Additional information
Handwheel	ST A Star grip	
	HS Hand wheel	
Measured value per revolution	... B 2 ... 90000	
	W3600 Angle mode 0-360°	resolution 0,1°
	Z3600 Angle mode -180°/+180°	resolution 0,1°
Decimal place	0 C 0=00000	
	1 1=0000.0	
	2 2=000.00	
	3 3=00.000	
Display divisor	... D 1, 10, 100, 1000	
Counting direction	i E Clockwise ascending	
	e Counter-clockwise ascending	
Key operation	D F Reset direct	
	V Reset delayed by 5 sec	
Hollow shaft diam. (mm)	20 G	
	... RH8, RH10, RH12, RH14	reduction sleeve, others on request
Torque support/position	I H 28.5 mm	
	II 30.0 mm	
Torque support/position	270 I	
	90	

Your ordering: - - - - - - - - -

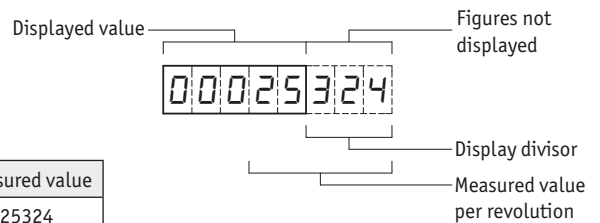
Electronic Adjusting Knob DKE01



Display divisor:
The indication of the measured value on the display can be influenced by means of the divisor (divider). The divisor shifts figures of the measured value into the invisible sector of the display unit. Although the figures are not displayed, they are also calculated by the electronics unit and mathematically rounded.

Calculation of displayed value:
Example of ordering text:
Measured value per rev.: 25324
Display divisor: 1000

	Displayed value	Measured value
1 st revolution	25	25324
2 nd revolution	51	50648
3 rd revolution	76	75972



Technical data

Mechanical data:

Housing	plastic	
Hollow shaft	on plain bearing, black-finished steel	(max. ø20H7)
Velocity	max. 200 U/min	
Protection	IP65	
Weight	ca. 0,25 kg	

Electrical data:

Battery	Lithium coin cell, 3 V, type CR2477N or CR2477	~8 years service life
Display	LCD-Display, 5-digit, figure height 11,5 mm	
Display range	-19999 ... 99999	
Test mark	CE mark	

Environmental conditions:

Operating temperature	-10 °C ... +60 °C
Storage temperature	-30 °C ... +80 °C
Humidity	condensation not permitted

Accessory	ProTool DE	Programming tool	
	RH10	Reducing sleeve	with grub screw M5