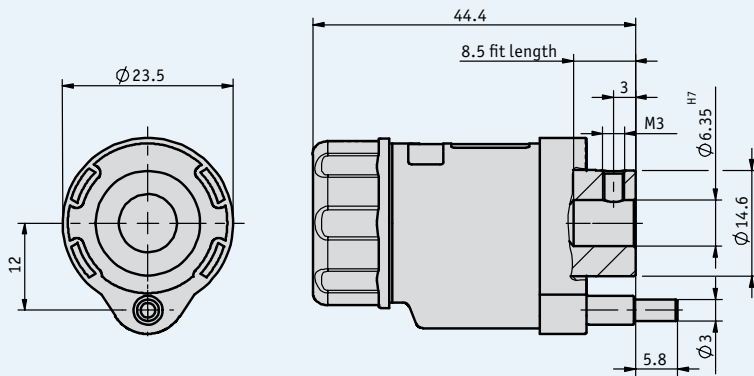


Profile

- Miniature rotaty knob with digital display
- All mounting situations
- Shaft accomodation max. \varnothing 6.35 mm
- Measuring range of max. 100 revolutions

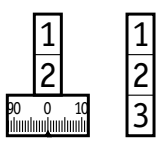
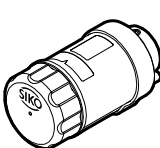
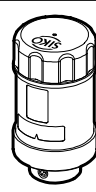



Mechanical data

Feature	Technical data	Additional information
Measuring range	up to 100 revolutions	
Ambient temperature	max. 80 °C	
Weight	approx. 20 g	
Housing	plastic	
Hollow shaft	stainless steel	

Order

Design

Display	Mounting position		Counting direction
 <p>01F 010</p>	 <p>02</p>	 <p>04</p>	

Note: Characters highlighted in orange are order features

Order

Order table

Feature	Order text	Additional information
Version	... A 02, 04	see the icons illustration the mounting position
Indication after 1 st revolution	01F B with fine scaling 0 ... 100	binary digital
	010 B without fine scaling	three-digit digital
Decimal place	0 C 000	
	1 C 00.0	
	2 C 0.00	
Sense of rotation = ascending values	i D clockwise	
	e D counter-clockwise	
Hollow shaft/diameter	6.35 E Ø 6.35 mm	
	E others on request	

Order code

DK04 - - - - -

Scope of delivery: DK04

Additional information:

General information and areas of application

Page 48 cont.