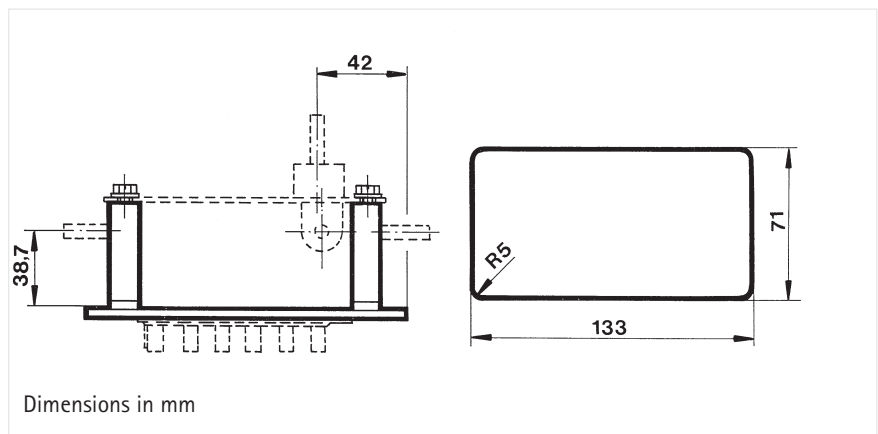
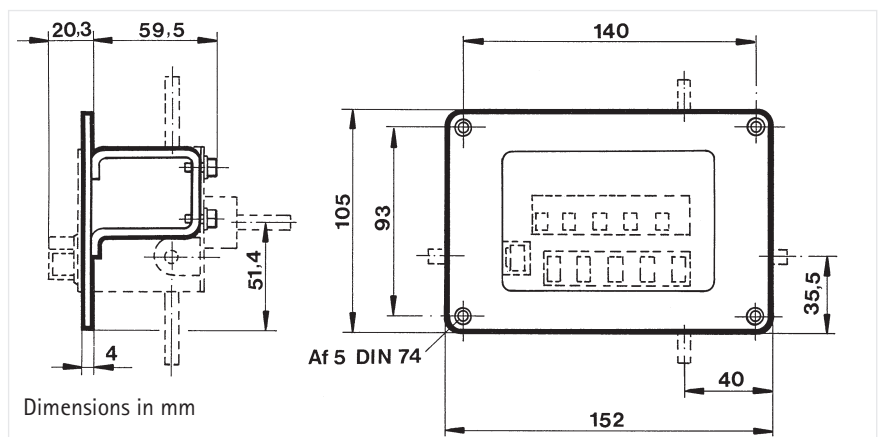


Mounting Frame



DIMENSIONED DRAWING



This mounting frame is designed for the installation of mechanical counters type 225 and 250.

The mounting frame is attached by means of four countersunk screws (supplied with the frame). The counter can

easily be installed once the frame is in place. Slide the counter into the mounting frame and fasten to the baseplate from below.

ORDER INFORMATION

Flat connectors

Flat steel bar

Mounting frame for counters type 225 or 250, complete Ordering code 1 250 056

Flat connector 2.8 x 0.8 mm for electrical connection of all counters (except for counters with screw terminals)

Order information Ord. code 3 530 077

Flat steel bar for the installation of connection boxes of the modular system 400

Order information Ord. code 2 405 058

12 x 3 x 105 mm
For description see installation instructions