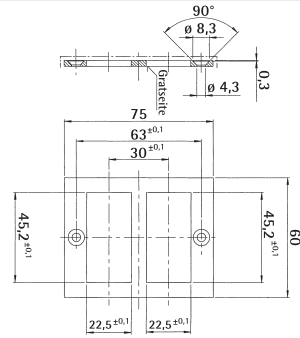


Panel Frames for Hengstler Modular System 400



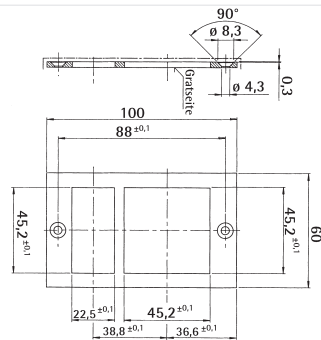
2 counters
24 x 48 mm
in
front panel size 2

Order-Nr. 1 405 696



1 counter 24 x 48 mm
1 counter 48 x 48 mm
in
front panel size 3

Order-Nr. 1 405 693

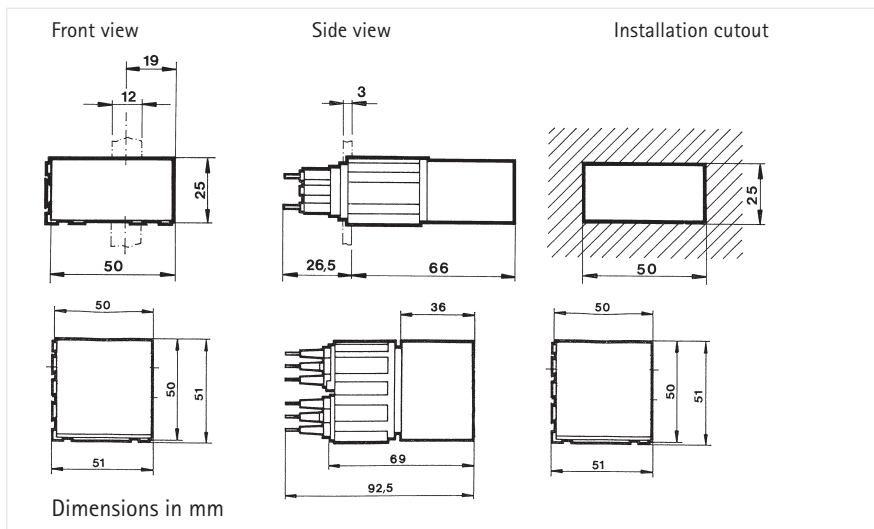


DIMENSIONED DRAWING SIZE 1
Dummy cap with attachment socket



■ For filling a prepared counter cutout

DIMENSIONED DRAWING SIZE 2
Dummy cap with attachment socket



ORDER INFORMATION

Dummy cap size 1	Ordering code 2 651 009
Dummy cap size 2	Ordering code 1 651 018