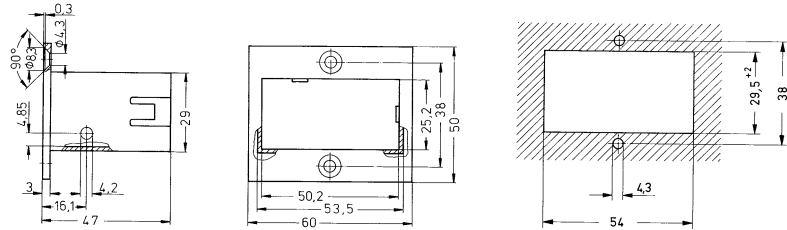


Panel Frames for Hengstler Modular System 400



Size 1

Attachment by two countersunk screws M4



Plastic, black
Plastic, grey

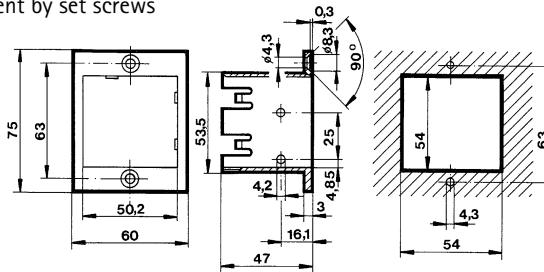
Ordering code 1 405 491
Ordering code 1 405 452

Dimensions in mm



Size 2

Attachment by set screws



Plastic, black
Plastic, grey

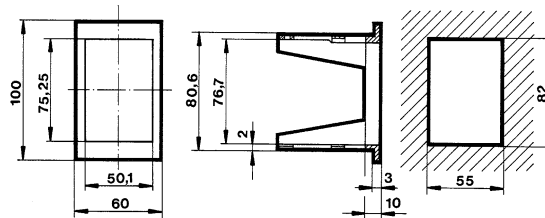
Ordering code 1 405 492
Ordering code 1 405 453

Dimensions in mm



Size 3

Attachment by set screws



Die-cast
Textured paint, matt black
silver

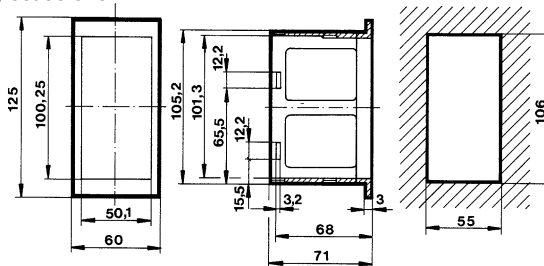
Ordering code 1 405 010
Ordering code 1 405 009

Dimensions in mm



Size 4

Attachment by set screws



Sheet steel
Textured paint, matt black

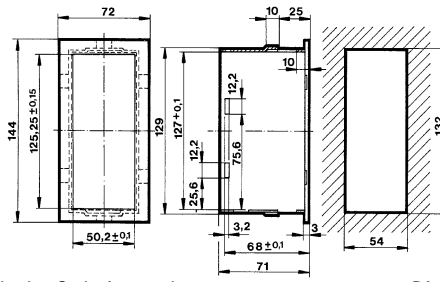
Ordering code 1 405 093

Dimensions in mm

Panel Frames for Hengstler Modular System 400



Attachment
by set screws



Die-cast

Textured paint, matt black Ordering code 1 405 493

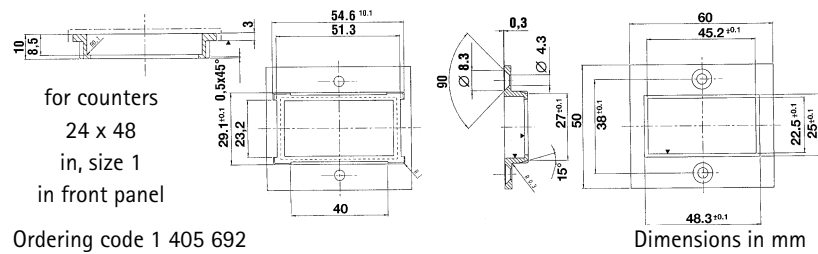
Dimensions in mm

Panel Frames "signo" + "tico"



for counters
24 x 48
in, size 1
in front panel

Ordering code 1 405 692

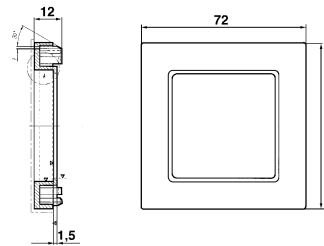


Dimensions in mm



for counters
48 x 48
in DIN cutout
68 x 68

Ordering code 1 405 676

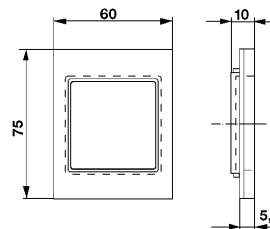


Dimensions in mm



for counters
48 x 48
in, size 2
front panel

Ordering code 1 405 675

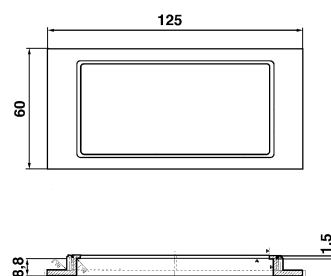


Dimensions in mm



for counters
48 x 96
in, size 4
front panel

Ordering code 1 405 679

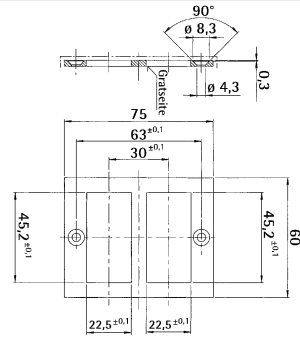


Dimensions in mm

Panel Frames for Hengstler Modular System 400



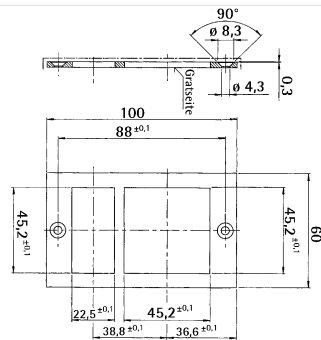
2 counters
24 x 48 mm
in
front panel size 2



Order-Nr. 1 405 696



1 counter 24 x 48 mm
1 counter 48 x 48 mm
in
front panel size 3



Order-Nr. 1 405 693

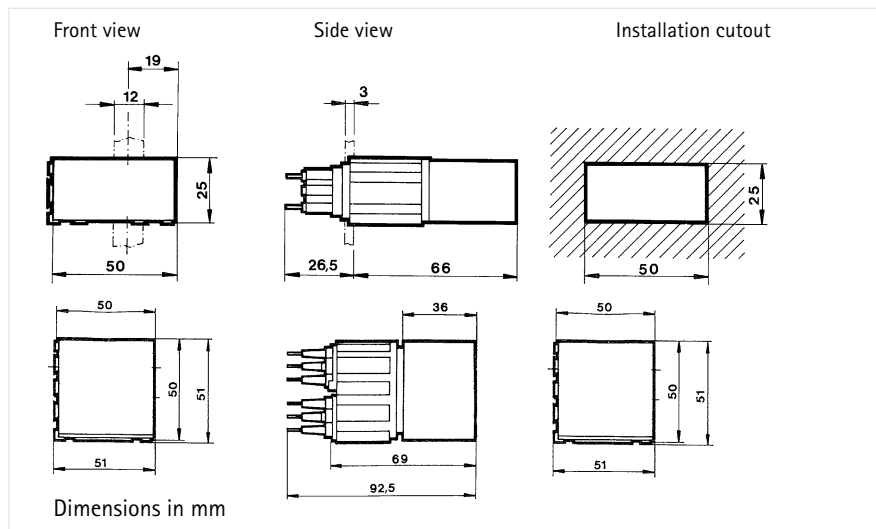


DIMENSIONED DRAWING SIZE 1
Dummy cap with attachment socket



■ For filling a prepared counter cutout

DIMENSIONED DRAWING SIZE 2
Dummy cap with attachment socket



ORDER INFORMATION

Dummy cap size 1	Ordering code 2 651 009
Dummy cap size 2	Ordering code 1 651 018