

# Automatic Reset Module for Pneumatic Timers



- Output signal of adjustable length 0.2 to 2 seconds
- DIN dimensions
- Compact design
- Stationary preset value

## TECHNICAL DATA Pneumatic

Service pressure	2 ... 6 bar
Bursting pressure 12	10 bar
Nominal pressure	4 bar
Air quality	filtered (40 µm), non-oiled compressed air, light oil mist permissible

Input	
Response pressure	1.2 ± 0.4 bar
Drop pressure	0.3 ± 0.2 bar
Pulse length	min. 30 ms
Pause for reset	min. 200 ms

Time ranges	
Switching delay time	adjustable from 0.2 – 2 sec.
Signal interruption time	min. 300 ms
Repeating accuracy	± 0.3 s
based on switching delay time	

Temperature range	
Application class (DIN 40040)	KUG K = lower temperature limit: -15 °C U = upper temperature limit: + 60 °C G = average relative humidity: 65 % without condensation

Storage temperature	- 25 ... + 70 °C
Protection class (DIN 40050)	IP 40 IP 54 (with protective cover)

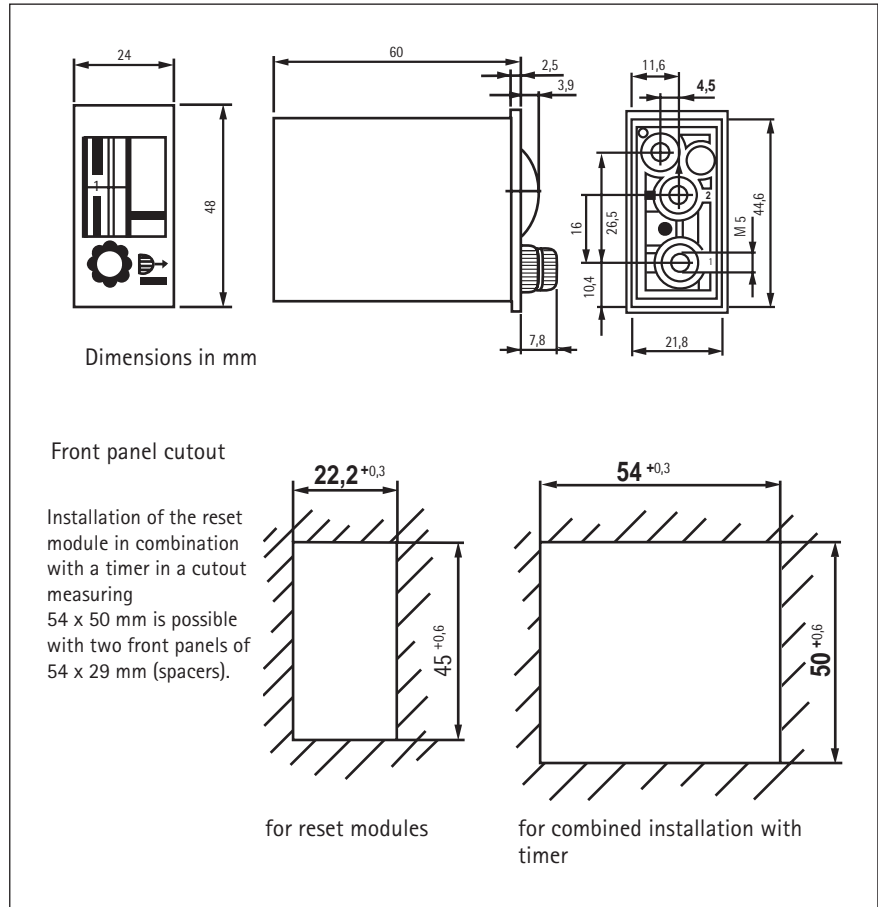
Substances which inhibit application of paint according to VW test specification no. 3.10.7	none
Dimensions	24 x 48 x 68 mm (W x H x D)
Insertion depth without connect.	57.5 mm
Front panel cutout	22.2 <sup>+0.3</sup> x 45 <sup>+0.6</sup> mm (W x H) (Other front panel cutout dimensions possible with additional panel frame)

Mounting	
for front panel insertion	by means of clamping frames
Pneum. connections	M5 or rapid-fit coupling for hoses with 4 mm external diameter
Tightening torque for connections	max. 250 Ncm
Mounting position	any
Weight	approx. 50 g

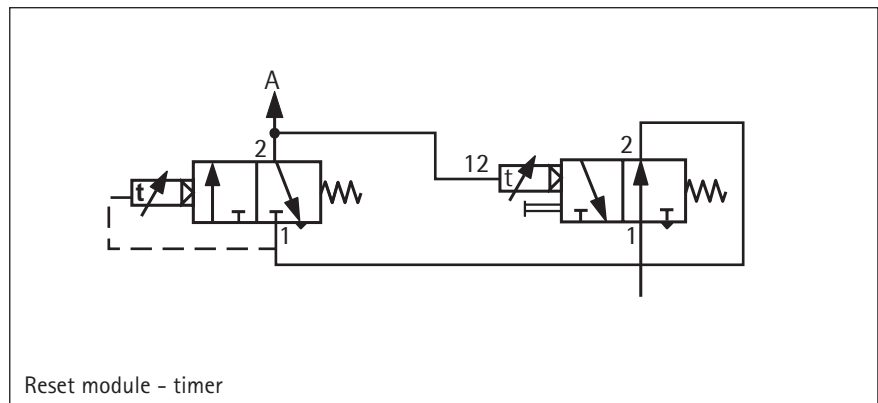
## Mechanical

# Automatic Reset Module

## DIMENSIONED DRAWING



## CONNECTION DIAGRAM



## ORDER INFORMATION

### Accessories

	Ordering code
Pneum. reset module M5	0 499 350
Pneum. reset module rapid-fit coupling	0 499 351
Front panel 54 x 29 mm	2 405 218

(For further accessories, please refer to the pneumatic timers)