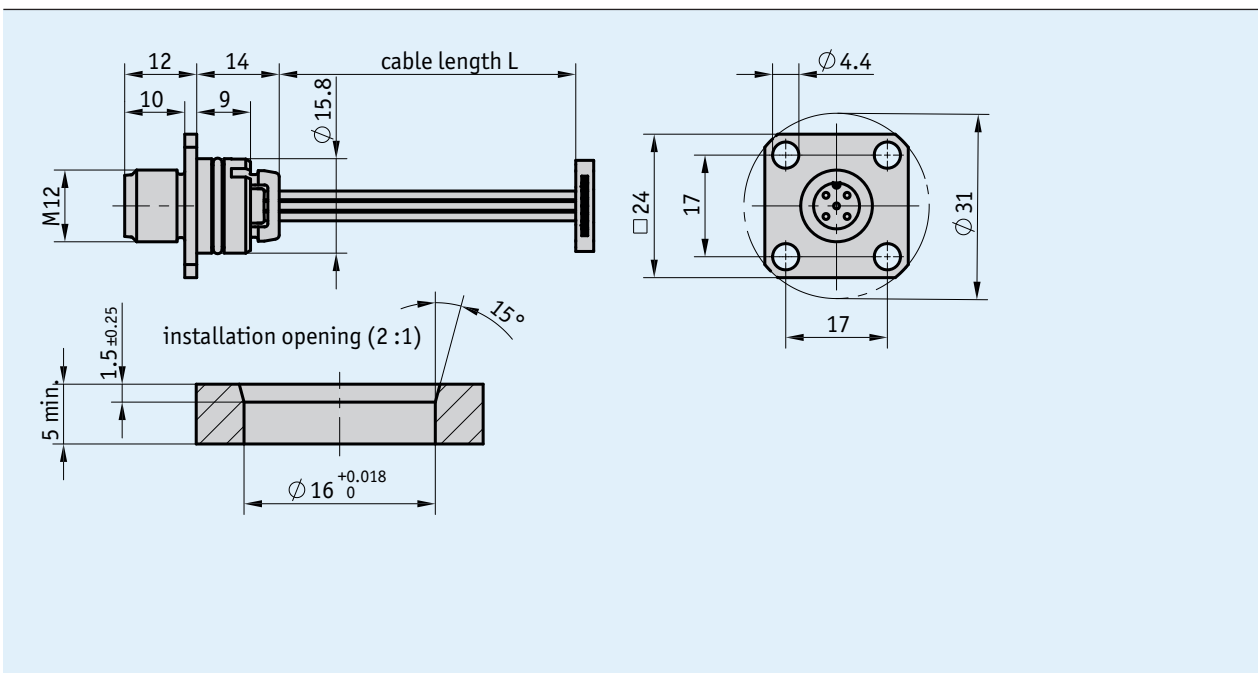
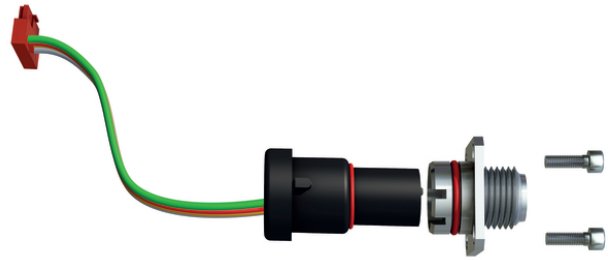


### Profile

- Connector system for SGH wire-actuated encoders
- Time-saving, faultless and easy mounting
- IP69K protection category
- Broad temperature range -40 °C ... +105 °C



### Mechanical data

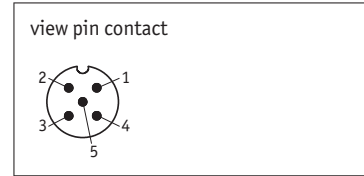
| Feature      | Technical data      | Additional information                |
|--------------|---------------------|---------------------------------------|
| Housing      | CuZn, nickel-plated |                                       |
| Cable sheath | ETFE                | 5x 0.17 mm <sup>2</sup> , 5x ø1.03 mm |

### Ambient conditions

| Feature             | Technical data  | Additional information                                |
|---------------------|-----------------|---|
| Ambient temperature | -40 ... +105 °C | temperature range of the line (inactive)              |
| Protection category | IP69K           | in the installed state with suitable mating connector |

## Pin assignment

| Signal                             | PIN |
|------------------------------------|-----|
| I <sub>OUT</sub> /U <sub>OUT</sub> | 1   |
| +UB                                | 2   |
| GND                                | 3   |
| Limit 1                            | 4   |
| Limit 2                            | 5   |



## Order

### Order key

KV1H - A1 - 06.2

Scope of delivery: KV1H