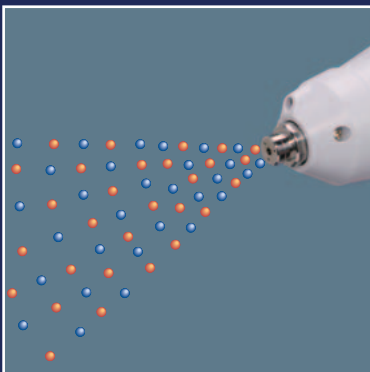


NEW PULSE AIR-GUN IONIZER

EC-G SERIES



Direct ionized air emission



Direct emission of ionized air removes electrification on charged object swiftly.

Pulse ionized air



Instant pulse air emission with high air pressure removes dust all at once.

White LED illumination



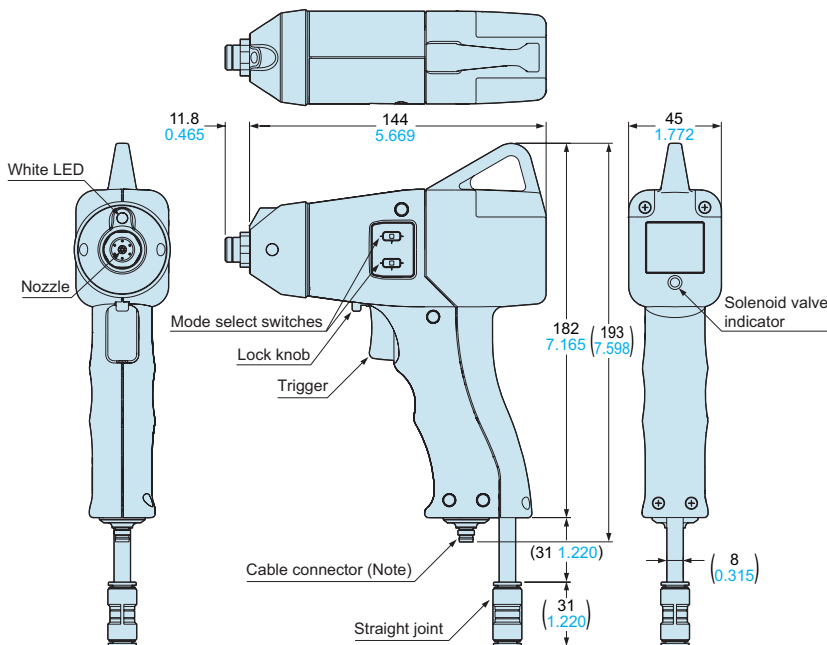
The white LED illuminates on the target object.

SPECIFICATIONS

Model No.	EC-G01
Charge removal time	0.5 sec. or less (1,000 V → 100 V) (Note 1)
Applicable fluid	Air (dried clean air) (Note 2)
Supplied air flow	Max. 300 ℓ/min. (ANR) or less
Air pressure range	0.05 to 0.50 MPa
Power supply voltage	Accessory AC adapter INPUT: 100 to 240 V AC ±10 % 50/60 Hz (OUTPUT: 24 V DC)
Power consumption	30 VA or less
Discharge method	High-frequency AC method
Pulse air mode	Pulse 1 (long) / Pulse 2 (short) / CONT (continuous) selectable by switch
LED illumination mode	ON (always ON) / SYNC (synchronized with trigger) / OFF (always OFF)
Weight	270 g approx. (main unit only)

Notes: 1) Typical value for pulse air mode: CONT at 100 mm 3.937 in from the front of discharge nozzle at an applied air pressure of 0.50 MPa.
2) Dried clean air is the air passing through air dryer (dew point -20 °C -4 °F approx.) and air filter (mesh size 0.01 μm 0.0004 mil approx.)

DIMENSIONS (Unit: mm in)



Note: An exclusive intermediate cable (oil-resistant, heat-resistant, flexible type, ø3.7 mm ø0.146 in, 2 m 6.562 ft long) is attached.

PRECAUTIONS FOR PROPER USE

- This product has been developed / produced for industrial use.
- This product includes precision components, so do not drop it or hit it against other objects. If this is not observed, accidents or problems with operation may occur.
- Never use this product in a device for personnel protection.
- Do not use this product in places where there may be danger of flammable or combustible items being present.
- High voltages are applied to the discharge needle, so never touch the discharge needle while the power for the product is turned on, otherwise electric shocks may result.
- Since the tip of the discharge needle is sharp, take sufficient care in handling the discharge needle, or injuries may result.
- If this product is used in an airtight room, ozone emitted from this product may be detrimental. Therefore, in order for this product to be used in an airtight room, be sure to keep the room ventilated.
- Do not direct ionized air toward the face. Ozone may cause irritation to places such as the nose and throat.
- Do not look directly into the white LED spotlight. It may cause injury to the eyes.

All information is subject to change without prior notice.



<http://www.sunx.com>

SUNX Limited

2431-1 Ushiyama-cho, Kasugai-shi, Aichi,
486-0901, Japan
Phone: +81-568-33-7211
FAX: +81-568-33-2631

Overseas Sales Division

Phone: +81-568-33-7861
FAX: +81-568-33-8591