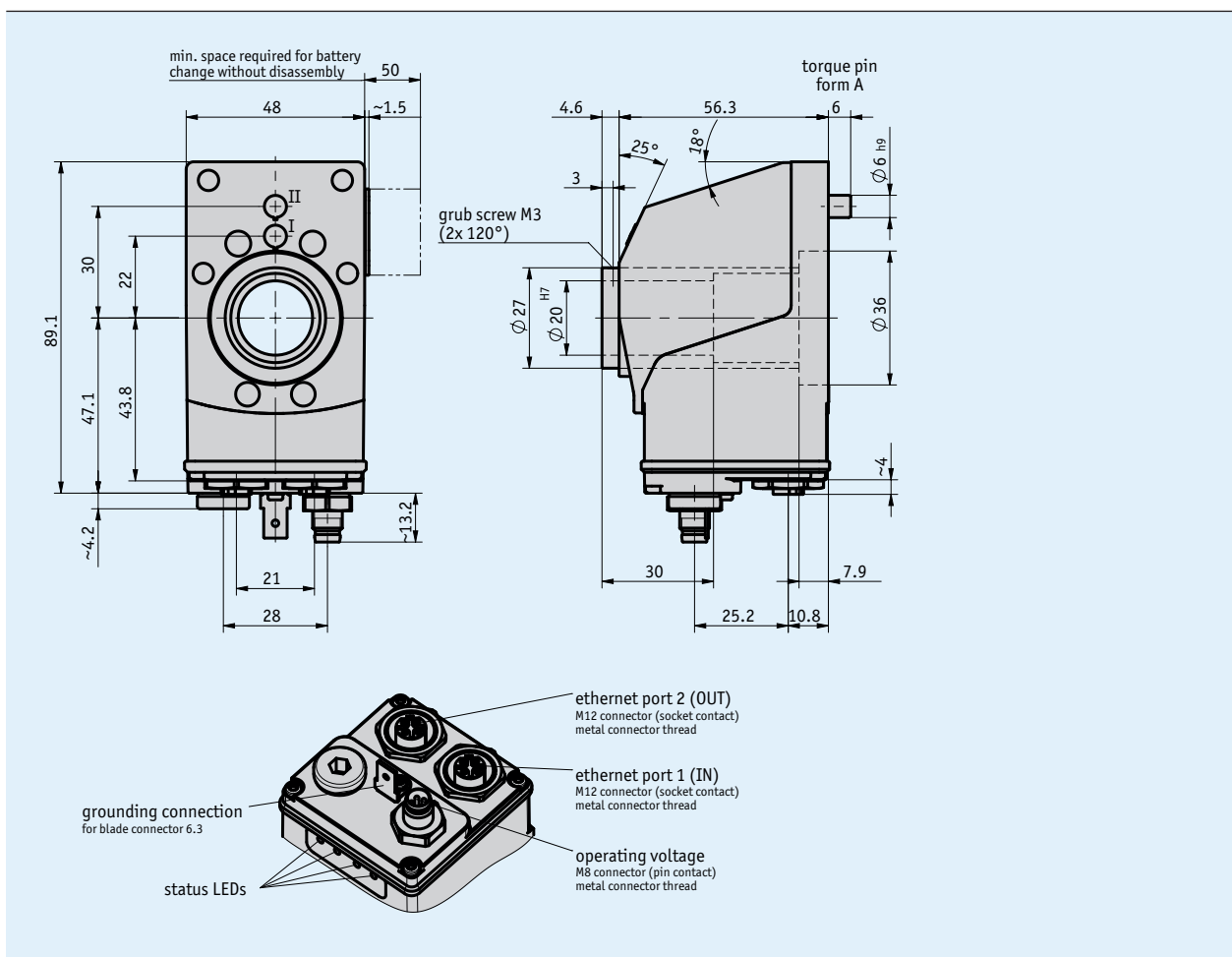


Profile

- Integrated Industrial-Ethernet-Fieldbus
- Backlit two-row LCD
- Display of target and actual value displays with integrated alignment
- Stainless-steel hollow shaft $\varnothing 20$ mm, up to $\varnothing 25.4$ mm as an option
- Robust sensor technology unit thanks to magnetic scanning
- User guidance through status LEDs
- Mechanically compatible with the DA09S and AP10 position indicators
- IP53 type of protection, IP65 as an option



Mechanical data

Feature	Technical data	Additional information
Shaft	stainless steel	
Housing	reinforced plastic	metal cover / plug thread / ground connection
Color	black	
Speed	≤500 rpm	

Electrical data

Feature	Technical data	Additional information
Operating voltage	24 V DC $\pm 20\%$	reverse polarity protected
Current consumption	~100 mA	
Battery service life	~8 year(s)	
Display/display range	6-digit LCD 14-segment, ~8 mm high -199999 ... 999999	decimal points, 2 rows, special characters (backlit LED red/white) expanded display area to -999999
Special character	cw arrow, ccw arrow, incremental measurement, battery	
Status display	2x two-color LED (red/green)	position status, configurable
Keys	incremental measurement function, parameterizing, resetting	
Interface	Ethernet/IP, Profinet PROFINET EtherCAT POWERLINK	
Type of connection	1x M8 plug connectors (A-coded) 2x M12 plug connectors (D-coded) grounding via flat connector 6.3 mm	4-pole, 1x pin 4-pole, 2x socket

System data

Feature	Technical data	Additional information
Scanning	magnetic	
Resolution	880 increments/revolution	displayed value/revolution freely configurable
Measuring range	≤ 190650 revolution(s)	coded

Ambient conditions

Feature	Technical data	Additional information
Ambient temperature	0 ... 60 °C	
Storage temperature	-20 ... 80 °C	
Relative humidity		condensation inadmissible
EMC	EN 61326-1	industrial immunity requirements, class B emission limit
Protection category	IP53 IP65	EN 60529, only with mating connector EN 60529, only with mating connector
Shock resistance	500 m/s ² , 11 ms	EN 60068-2-27
Vibration resistance	100 m/s ² , 5 ... 150 Hz	EN 60068-2-6

Pin assignment

■ Ethernet

Signal	PIN
Tx+	1
Rx+	2
Tx-	3
Rx-	4

■ Operating voltage

Signal	PIN
reserved	1
reserved	2
+UB	3
GND	4

Order

Ordering table

Feature	Ordering data	Specification	Additional information
Interface/protocol	ECT	EtherCAT	
	EIP	EtherNet/IP	
	EPL	POWERLINK	
	EPN	PROFINET	
Hollow shaft/diameter	20	∅20 mm	
	25.4	∅25.4 mm	
	RH14	∅14 mm	adapter sleeve
Torque pin/position	II	distance 30 mm	
	I	distance 22 mm	
Protection category	IP53	IP53	
	IP65	IP65	
Viewing window	SF	front foil	
	K	plastic	impact protection

Order key



Scope of delivery: AP20, Mounting instructions

Accessories:

Clamping plate KPL09	www.siko-global.com
Pneumatic clamping plate KP09P	www.siko-global.com
Battery unit ZB1027	www.siko-global.com
Reduction sleeve RH09	www.siko-global.com
Cable extension KV04S1	www.siko-global.com
Mating Connector Overview	www.siko-global.com
Mating connector, operating voltage, 4-pole, socket	Order key 84209
Mating connector, port 1 + port 2, 4-pole, pin	Order key 87601
Mating connector, port 1 + port 2, 4-pole, angular pin	Order key 87600
Intermediate plate	Order key 89908