



# Metal Bellows Coupling I Series KM

6-corrugation bellows / simple installation with lateral EASY-clamping hub / low-cost standard series

technical data:

KM Size	T <sub>N</sub> [Nm]	moment of inertia [10 <sup>-3</sup> kgm <sup>2</sup> ]	torsional stiffness [Nm/arcmin]	max. shaft misalignment (mm)		axial spring rate [N/mm]	lateral spring rate [N/mm]	mass approx. [kg]	tightening torque of screws [Nm] (*)
				axial ±	lateral				
smaller couplings from 0,4 Nm - 12 Nm see series MKM									
20	20	0,14	5,2	0,8	0,25	51	190	0,3	14
35	35	0,14	5,8	0,8	0,25	51	190	0,3	14
60	60	0,29	8,7	0,9	0,3	49	260	0,5	35 (30)*
80	80	0,79	14	1	0,3	45	280	0,8	65 (50)*
170	170	0,83	17	1	0,3	80	470	0,8	65 (50)*
270	270	2,2	32	1	0,3	70	450	1,4	115 (90)*
400	400	2,4	47	1	0,3	100	640	1,5	115 (90)*
600	600	5,3	67	1	0,3	100	980	2,4	180 (140)*
900	900	9	105	1	0,3	145	1000	3,5	180 (140)*
1300	1300	14	170	1	0,3	130	920	4,2	290 (240)*

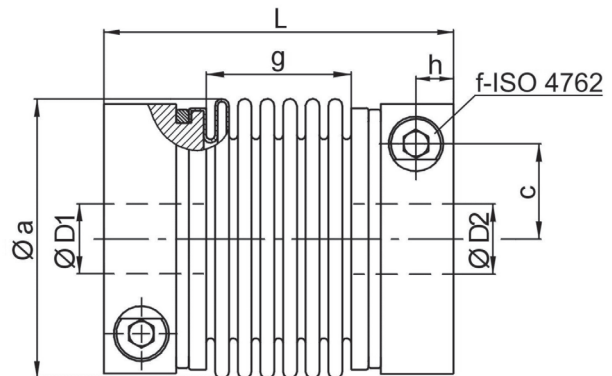
(\*) note: reduced tightening torque for bigger hub bore diameter - see also Ø D 1/2max!  
temperature range: -40°C up to +200°C

material:

hubs: high-tensile strength  
aluminum

screws: ISO 4762 / 12.9

bellows: stainless steel



Dimensions [mm]: length dimensions according to DIN ISO 2768 cH

KM	Øa	c	f	g	h	L	L*	ØD1/2min	ØD1/2max
20	56	19	M 6	30	8	70	81	8	32 -
35	56	19	M 6	30	8	70	81	10	32 -
60	66	22	M 8	33	9	77	87	13	28 (35)
80	82	28,5	M 10	38	11,5	90	102	16	32 (43)
170	82	28,5	M 10	40	11,5	92	104	18	32 (43)
270	101	35	M 12	42	13	100	106	25	42 (55)
400	101	35	M 12	48	13	106	112	28	42 (55)
600	122	42	M 14	52	16	120	-	32	55 (68)
900	133	47	M 14	53	18,5	143	-	40	65 (75)
1300	157	54	M 16	55	20	145	-	48	70 (85)

note: L\* ≙ variable length with bigger clamping hub size (see order example)

· version with steel hub and plasma welded joint, as well as higher torques see series „KG“

order example: KM 170 - D1 = 30 G<sup>7</sup> D2 = 35 H<sup>6</sup>  
KM 170 | 104 - D1 = 28 G<sup>6</sup> D2 = 42 G<sup>6</sup>